

NOTES:

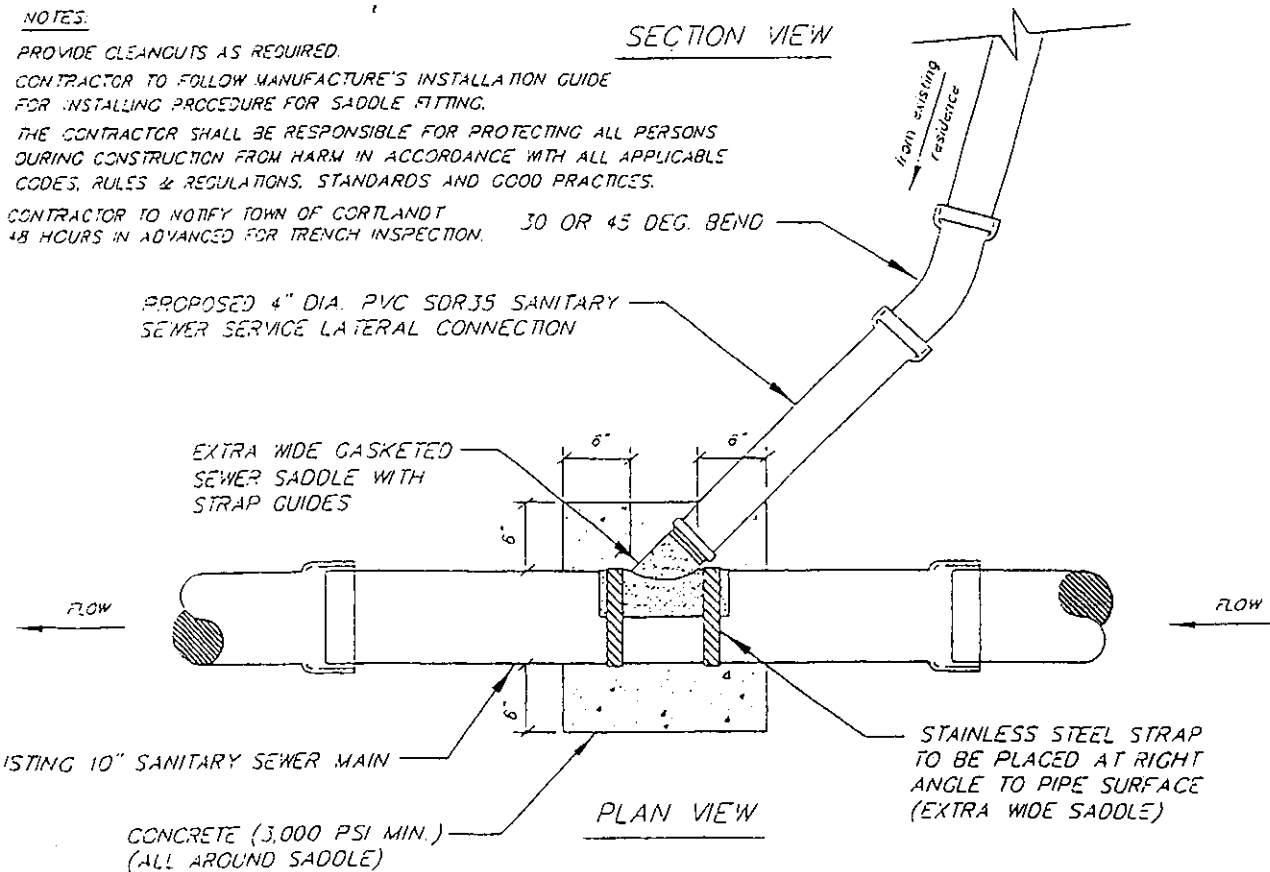
PROVIDE CLEANOUTS AS REQUIRED.

CONTRACTOR TO FOLLOW MANUFACTURE'S INSTALLATION GUIDE FOR INSTALLING PROCEDURE FOR SADDLE FITTING.

THE CONTRACTOR SHALL BE RESPONSIBLE FOR PROTECTING ALL PERSONS DURING CONSTRUCTION FROM HARM IN ACCORDANCE WITH ALL APPLICABLE CODES, RULES & REGULATIONS, STANDARDS AND GOOD PRACTICES.

CONTRACTOR TO NOTIFY TOWN OF CORTLANDT 48 HOURS IN ADVANCED FOR TRENCH INSPECTION.

SECTION VIEW



SEWER SERVICE CONNECTION

NOT TO SCALE